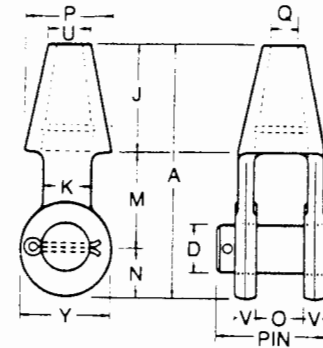


Wire Rope Spelter Sockets

STANDARD OPEN WIRE ROPE SOCKETS



Material Specification

- All forged sockets (1 1/2" and smaller) are AISI 1038 steel, normalized and tempered
- All cast sockets (1 5/8" and larger) are ASTM A148 steel, grade 90-60
- All sockets are magnetic particle inspected at critical areas and proof tested on special order

Tolerances

- Dimensions under 4": ± 1/8"
- Dimensions over 4": ± 1/4"
- D: + 0 - 1/32" in uncoated socket, ± 1/32" in Zn coated socket

Note

This drawing illustrates one groove used on sockets 1/2" and smaller. Sizes 9/16" – 1 1/2" have two grooves; sizes 1 5/8" and larger have three grooves.

Cast Sockets are available for use in extreme temperatures; these must be special ordered.

Part #	Rope Diameter (in.)	A	J	K	M	N	O	P	Q	U	V	Y	Pin Length (in.)	Pin D (in.)	Cotter Pin Size (in.)	Weight each (lbs.)
501	1/4	4 9/16	2 1/4	3/4	1 9/16	3/4	11/16	1 9/16	3/8	11/16	5/16	1 5/16	1 3/4	11/16	3/16	1.1
502	5/16 - 3/8	4 7/8	2 1/4	13/16	1 3/4	7/8	13/16	1 11/16	1/2	13/16	7/16	1 1/2	2 1/16	13/16	3/16	1.3
503	7/16 - 1/2	5 9/16	2 1/2	1	2	1 1/16	1	1 7/8	9/16	15/16	1/2	1 7/8	2 7/16	1	3/16	2.3
504	9/16 - 5/8	6 3/4	3	1 1/4	2 1/2	1 1/4	1 1/4	2 1/4	11/16	1 1/8	5/8	2 1/4	2 7/8	1 3/16	1/4	3.8
505	3/4	7 15/16	3 1/2	1 1/2	3	1 7/16	1 1/2	2 5/8	13/16	1 1/4	3/4	2 5/8	3 1/4	1 3/8	1/4	6
506	7/8	9 1/4	4	1 3/4	3 1/2	1 3/4	1 3/4	3 1/8	15/16	1 1/2	7/8	3 1/8	3 7/8	1 5/8	5/16	10
507	1	10 9/16	4 1/2	2	4	2 1/16	2	3 5/8	1 1/8	1 3/4	7/8	3 3/4	4 1/2	2	3/8	15.5
508	1 1/8	11 13/16	5 1/16	2 3/8	4 1/2	2 5/16	2 1/4	4	1 1/4	2	1	4 1/8	5	2 1/4	3/8	22
509	1 1/4 - 1 3/8	13 3/16	5 1/2	2 3/4	5	2 11/16	2 1/2	4 3/4	1 1/2	2 1/4	1 1/8	4 3/4	5 5/8	2 1/2	3/8	32
510	1 1/2	15 1/8	6	3	6	3 1/8	3	5 1/4	1 5/8	2 3/4	1 1/4	5 3/8	6 3/8	2 3/4	1/2	46
511	1 5/8	16 1/4	6 1/2	3 1/4	6 1/2	3 1/4	3	5 1/2	1 3/4	3	1 5/16	5 3/4	6 5/8	3	1/2	55
512	1 3/4 - 1 7/8	18 1/4	7 1/2	3 5/8	7	3 3/4	3 1/2	6 3/8	2	3 1/8	1 9/16	6 1/2	7 5/8	3 1/2	1/2	85
513	2 - 2 1/8	21 1/2	8 1/2	4 1/4	9	4	4	7 3/8	2 1/4	3 3/4	1 13/16	7	8 3/4	3 3/4	1/2	125
514	2 1/4 - 2 3/8	23 1/2	9	4 3/8	10	4 1/2	4 1/2	8 1/4	2 1/2	4	2 1/4	7 3/4	10	4 1/4	1/2	165
515	2 1/2 - 2 5/8	25 1/2	9 3/4	4 5/8	10 3/4	5	5	9 1/4	2 7/8	4 1/2	2 3/8	8 1/2	11	4 3/4	1/2	252
516	2 3/4 - 2 7/8	27 1/4	11	4 7/8	11	5 1/4	5 1/4	10 3/4	3 1/8	4 7/8	2 7/8	9	12	5	5/8	315
517	3 - 3 1/8	29	12	5 1/4	11 1/4	5 3/4	5 3/4	11 1/2	3 3/8	5 1/4	3	9 1/2	12 3/4	5 1/4	5/8	380
518	3 1/4 - 3 3/8	30 7/8	13	5 3/4	11 3/4	6 1/8	6 1/4	12 1/4	3 5/8	5 3/4	3 1/8	10	13 1/2	5 1/2	3/4	435
519	3 1/2 - 3 5/8	33 1/4	14	6 1/4	12 1/2	6 3/4	6 3/4	13	3 7/8	6 1/2	3 1/4	10 3/4	14 1/4	6	3/4	563
520	3 3/4 - 4	36 1/4	15	7	13 1/2	7 3/4	7 1/2	14 1/2	4 3/8	7 1/4	3 1/2	12 1/2	15 1/2	7	3/4	785
521	4 1/4 - 4 1/2	39 1/2	16	7 3/4	14 3/4	8 3/4	8 1/4	15 1/2	4 7/8	7 3/4	3 3/4	13 1/2	16 7/8	7 1/4	3/4	895
522	4 3/4 - 5	42 1/2	17	8 1/2	16	9 1/4	9	16 1/2	5 3/8	8 1/4	4	14 1/2	18 1/8	7 1/2	3/4	960
523	5 1/4 - 5 1/2	45	18	9 1/4	17	10	9 3/4	17	5 7/8	8 3/4	4 1/4	15 1/2	19 3/8	8	3/4	1190
524	5 3/4 - 6	48	19	10	18	11	10 1/2	18	6 3/8	9 1/4	4 1/2	16 1/2	20 5/8	8 1/2	3/4	1345